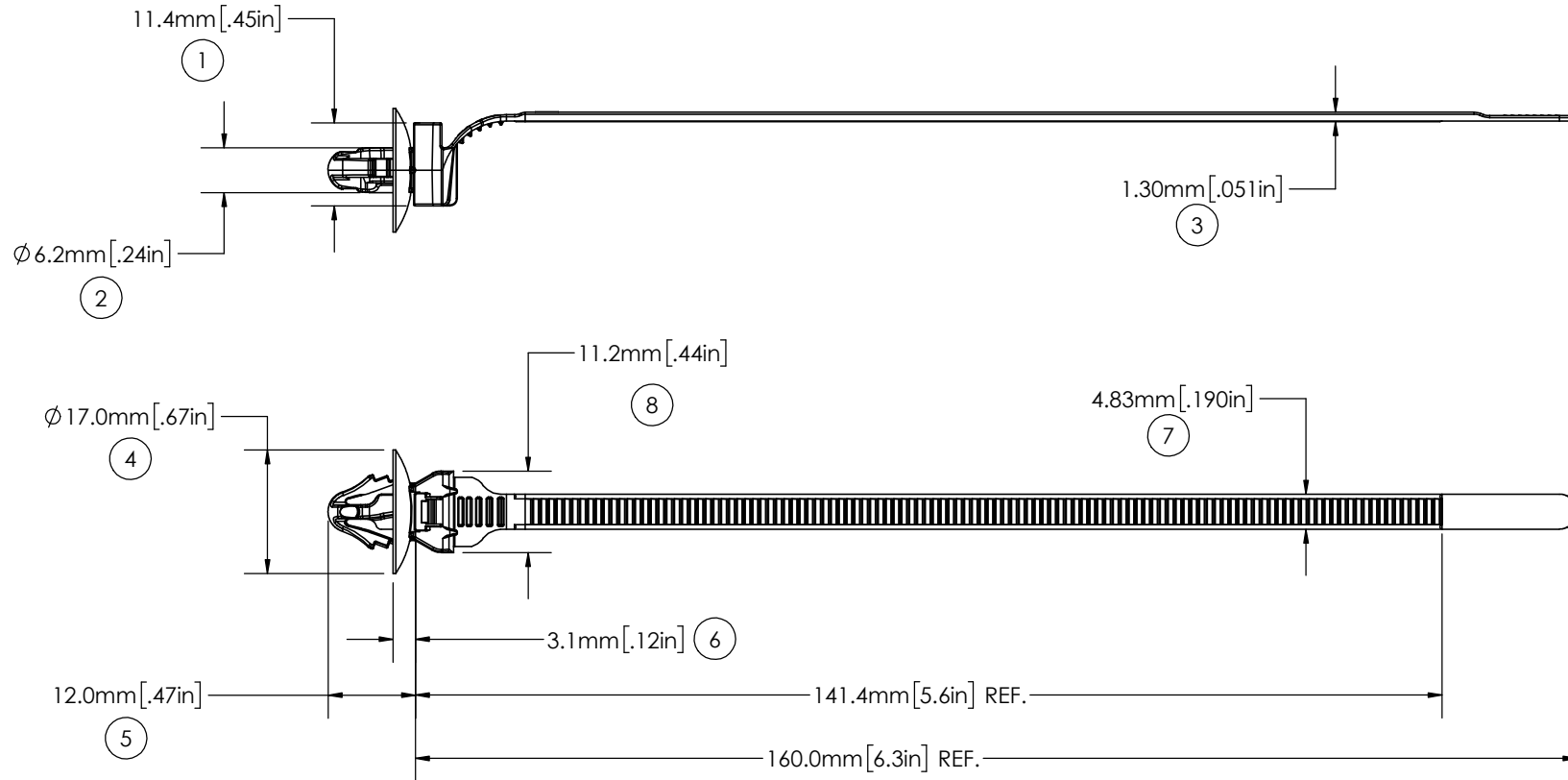


AVERY DENNISON MARKETING SPECIFICATION

HISTORY

REV.	DATE	DESCRIPTION
A	10.15.18	RELEASED

THE SUBJECT MATTER DISCLOSED HEREIN EMBODIES PROPRIETARY INFORMATION WHICH IS THE CONFIDENTIAL PROPERTY OF THE AVERY DENNISON CO. NONE OF WHICH SHALL BE COPIED, REPRODUCED, DISCLOSED TO OTHERS, PUBLISHED OR USED IN WHOLE OR IN PART, FOR ANY PURPOSE OTHER THAN THAT FOR WHICH IT IS BEING MADE AVAILABLE WITHOUT THE EXPRESS ADVANCE WRITTEN PERMISSION OF A DULY AUTHORIZED AGENT OF THE COMPANY. THIS DOCUMENT IS THE PROPERTY OF THE AVERY DENNISON CO. AND IS TO BE RETURNED TO THE COMPANY ON DEMAND.



9	△ FLAMMABILITY RATING:	HB RATED PER FMVSS302
10	△ TENSILE STRENGTH:	222N/50lbs MIN.
	MOUNTING:	Ø 6.35mm TO Ø 7.00mm HOLE PANEL THICKNESS 0.6mm TO 3.6mm
	INSERTION FORCE:	44.5N/ 10lbs MAX.
	EXTRACTION FORCE:	177.9N/40lbs MIN.
	WEIGHT:	1.5g
	TEMPERATURE RANGE:	-40 °F (-40 °C) TO 257 °F (125 °C) CONTINUOUS
	BUNDLE DIAMETER:	Ø 1.6mm TO Ø 38.1mm
	TOOL:	12001- HAND INSTALLATION TOOL 12500- PNUM. INSTALLATION TOOL
	TOOL TENSION SETTING:	6 - 8; 115N/25.9lbs to 162N/36.4lbs
	PACKAGING:	1000/BAG, 5 BAGS/MASTER

NOTES:
1. SPECIAL CHARACTERISTICS ARE NOTED BY A TRIANGLE (△)

APPROVALS:	ENG. APPR.	<i>Daniel Gilbertson</i>	10.15.18
	Q.A. APPR.	<i>Rick Estano</i>	10.15.18



FASTENER DIVISION
FITCHBURG, MA 01420 U.S.A.
TEL. 1-800-225-5913
FAX. 978-353-8157

SPECIFIED TOLERANCES ARE:		MATERIAL	DESCRIPTION	
.XX ± .03 INCHES	.X ± .7 mm	NYLON 6/6, HEAT STABILIZED	Ø 6.6mm ARROW TIE, HS	
.XXX ± .010 INCHES	.XX ± .25 mm		STOCK NO.	20174-0
ANGULAR: ± 2°		COLOR	BLACK	REV. A